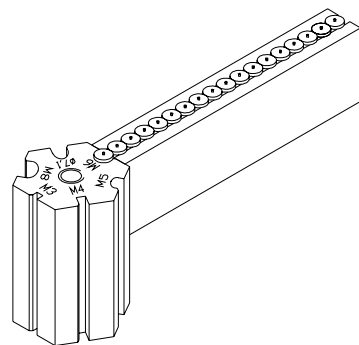




UVR-300 Universal Feeder



Quick-change system for conversion to other stud diameters (Patent No. DE 199 34 209 C2)



UVR-300 SOYER universal feeder

Description:

The UVR-300 universal feeder is a patented technical novelty (Patent No. DE 199 34 209 C2). Owing to a single high-speed stud escapement, it has for the first time become possible to feed six different stud sizes fully automatically. Elaborate and costly conversion kits or time-consuming conversions are thus not required. By rapid, simple rotation of the hardened and ground hexagon barrel it is possible to transport various stud diameters. Thanks to this innovative technical development the established SOYER universal feeders can now effect serial stud welding jobs with frequently changing stud diameters more economically and efficiently. (For innovative special features, please see over).

Technical data:

Operating range:

SOYER threaded studs and pins with flange M3, M4, M5, M6, Ø 7.1 and M8 of 6 - 40 mm in length (other dimensions and studs by request)

Material:

Steel, stainless steel, aluminium and brass

Feed capacity:

20 - 50 studs/min, depending on dimensions

Maximum filling capacity:

6 kg

Diameter of feeder bowl:

300 mm

Total height with plate:

310 mm

Table top:

430 x 10 x 570 mm (w x h x d)

Mains supply:

115/230 V ~, 50/60 Hz (automatic mains voltage change-over)

Compressed-air supply:

5 - 7 bar

Power consumption:

150 VA

Total weight:

48 kg

Colour:

RAL 5009 azure-blue

Subject to technical changes

Innovative Special Features of the UVR-300 Universal Feeder

The new UVR-300 SOYER universal feeder with its numerous integrated innovative features is the new international standard for quality, technology, design and safety. Easy to operate it guarantees maximum technical performance advantages for the fully automatic feeding of welding studs with flange.

Additional performance features of the UVR-300 universal feeder include:

- ▶ Development and production fulfil all prescribed safety targets such as
 - the latest safety and accident prevention regulations (Act on the Safety of Technical Working Equipment)
 - electromagnetic compatibility (EMC Act)
 - European regulations (EU Directives on Machinery)
- ▶ GS/CE emblem for verified safety
- ▶ New patented quick-changing system for conversion to other stud diameters (Patent No. DE 199 34 209 C2)
- ▶ No additional costs arising from complicated and expensive conversion kits for other stud diameters
- ▶ Operation via membrane keyboard
- ▶ No time-consuming and expensive conversion or adjustment to other stud diameters
- ▶ Suitable for all known stud welding systems (BMS and BMK)
- ▶ Simple operation by means of three keys
- ▶ Display of operating states via LEDs
- ▶ Feed capacity is infinitely variable by means of a turning knob at the front panel
- ▶ Universal application for welding studs with flange from 3 - 8 mm in diameter and 8 - 40 mm in length of all common materials
- ▶ Trouble-free transport due to stud feed via steps and low-noise operation
- ▶ Feeder bowl and lining are made of precious, wear-resistant and corrosion-resistant stainless steel
- ▶ Long service life due to high-grade, hardened and ground mechanical components
- ▶ Large diameter of the feeder bowl of 300 mm for long studs and large filling capacities
- ▶ Low air consumption due to impulse-controlled exhaust air
- ▶ New scratch-resistant and abrasion-proof as well as dirt-resistant plastic film coating on the front panel
- ▶ One-piece covering as a protection against welding spatters, dirt and noise
- ▶ Spacers for the quick adjustment of the discharging rail for stud diameters of M3, M4, M5, M6, Ø 7.1 and M8 mm are included in the standard equipment
- ▶ For welding oversized studs with flange up to 12 mm in diameter and 50 mm in length the new twin model UVR-400 is available

SOYER top-of-the-range products awarded the following prizes for



Production



Quality



Technology



Design



Quality Management



International Approval



Safety



EC Conformity